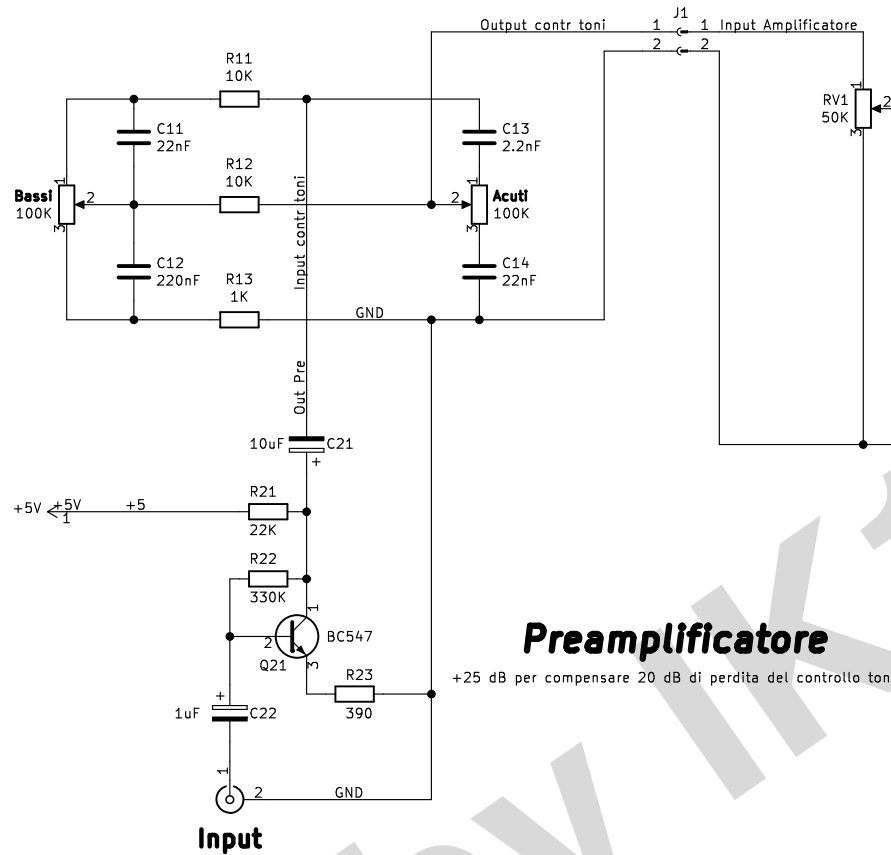


Controllo toni

<http://www.learnabout-electronics.org/Amplifiers/amplifiers42.php>

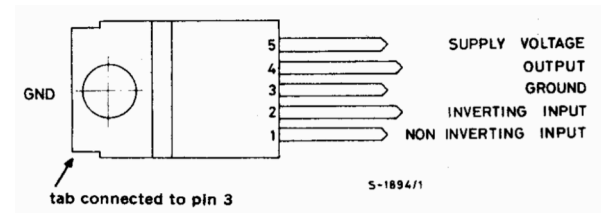
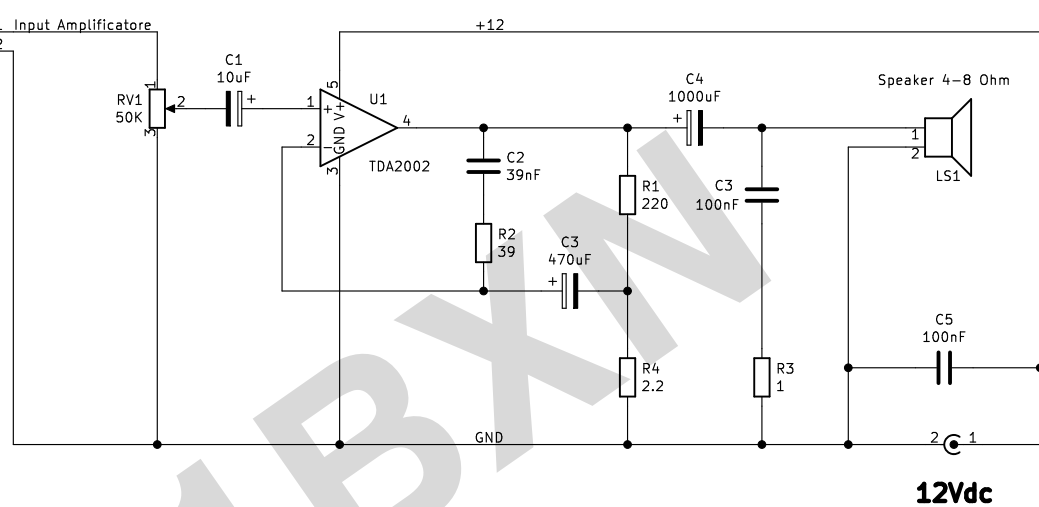


Preamplificatore

+25 dB per compensare 20 dB di perdita del controllo toni

Amplificatore

<https://xtronic.org/circuit/amplifier/power-audio-amplifier-tda2002/>



TDA2002

<https://www.st.com/resource/en/datasheet/dm0028077.pdf>

Sheet: /
File: Amplificatore con TDA2002.sch
Title: Amplificatore con TDA2002

Size: A4 Date: 2019-02-15 Rev: 1.00
KiCad E.D.A. eeschema (5.1.6-0-10_14) Id: 1/1